

HEATSTRIP[®]



MAX

RADIANT OUTDOOR HEATERS



Take heating to the Max!



HEATMAX^{NZ}
RETRACTABLE ROOFING • OUTDOOR
CAFÉ SCREENS  HEATING

High Temperature output
Specially designed "low-glow" incoloy technology
Suitable for permanent outdoor installations
Commercial grade quality and construction
Australian designed and engineered

Innovative, High Performance Electric Heating Technology that looks good!



Heatstrip provides comfort heating for al-fresco dining and outdoor entertainment areas, patios, verandahs, courtyards and balconies, as well as factories, warehouses, showrooms, sporting facilities and halls etc.

Stylish, energy efficient heating for both outdoor (undercover or exposed) and open indoor areas.

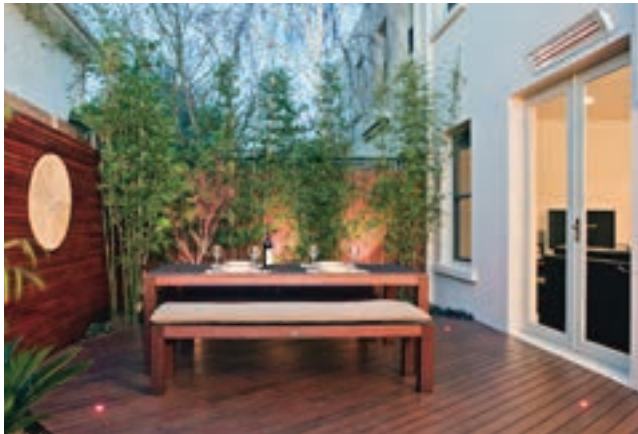


Image courtesy of Scott Brown Landscape Design

High Output radiant heat

The Heatstrip Max range of electric radiant heaters produces a high temperature radiant warmth that travels through the air directly to people and surfaces below – similar to the heat rays emitted by the Sun. Radiant heating is the only viable option for outdoor or tough indoor sites.

Unique low-glow heating technology

Specially designed and engineered “low-glow” heating element provides a very gentle and unobtrusive glow. There is no blinding light, so you can enjoy the experience. Energy is directed towards producing heat, rather than unwanted light.

Maximum heat performance – multiple applications

The high temperature output of the Heatstrip Max is perfect for exposed outdoor sites, high ceilings and hard-to-heat indoor and outdoor applications.

The dual element design allows for a very compact unit, and maximum efficiency. Outdoor applications include al-fresco and dining/entertainment areas, patios, verandahs and balconies, to name a few. Indoor applications such as factories, warehouses, showrooms, workshops and workstation spot heating are ideal for the Heatstrip Max.

Suitable for permanent outdoor mounting, no protection needed.

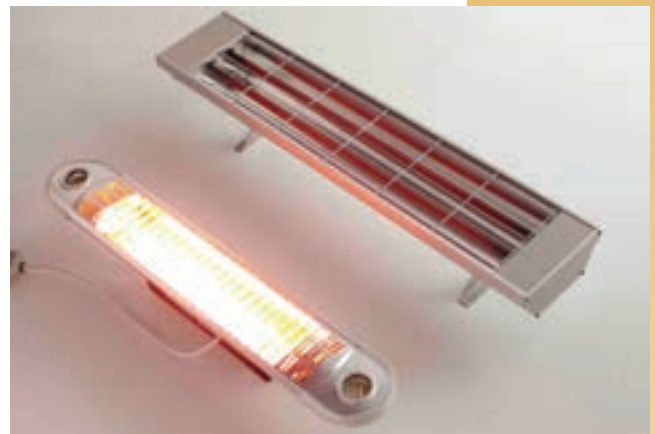
For outdoor applications, the Heatstrip Max is suitable for both permanently exposed (eg. courtyards and patios) and undercover installations - does not need to be fully protected from the elements.

Corrosion protection

Built from corrosion resistant alloy, it is suitable for use in most applications, including difficult corrosive environments such as coastal areas.

High Strength element – virtually indestructible

The unique metallic “incoloy” element is 14mm in diameter, meaning it is vandal proof and will not shatter like glass heating



Above Image: comparison of light emitted by a standard infra-red heater (left) and the Heatstrip Max (right)

elements. Provides piece of mind in both commercial and domestic situations.

Commercial grade quality – 2 years full replacement warranty

Constructed of extremely robust, commercial grade material, the Heatstrip Max is designed for long-life and durability in all conditions. It is fully supported by a 2 year replacement warranty under both residential and commercial conditions.

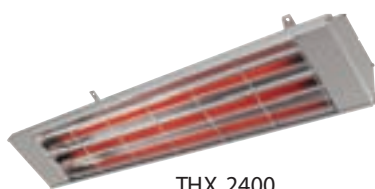
Multi-Purpose Mounting Options

The Heatstrip Max is supplied with flexible mounting options. The standard bracket will allow both ceiling and wall mounting, at various angles, as well as suspension by chains/wires and metal rods. Optional twin mount and end-to-end brackets are also available.

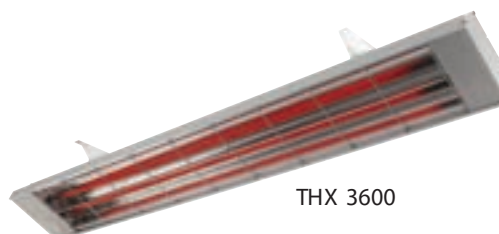
2 models – DIY or hard-wired

2 models are available. The THX 2400 (2400W) is supplied with a lead and plug, ideal for a DIY installations. The THX 3600 (3600W) requires hard-wiring to a 15amp power supply.

Australian designed, engineered and assembled

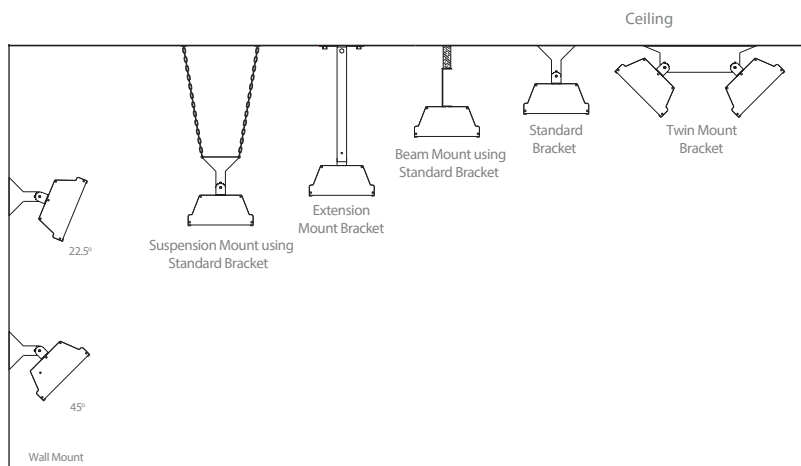


THX 2400

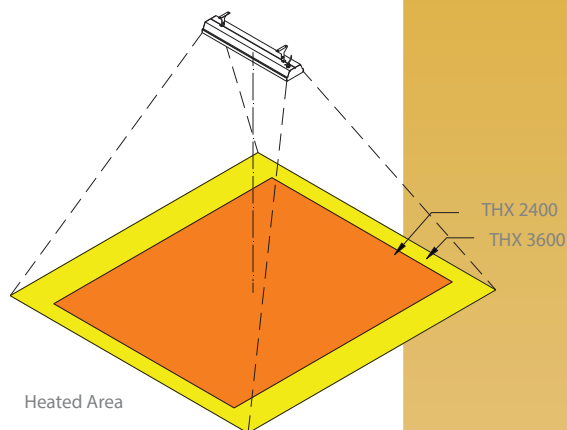


THX 3600

HEATSTRIP[®] Max Mounting Options



Heating Footprint



Model	Watts	Amps	Dimensions (mm)	*Running Cost
THX 2400	2400	10	854 x 170 x 80	48 ¢/hr
THX 3600	3600	15	1184 x 170 x 80	72 ¢/hr

Model	Mounting Height (m)	Heated Area (m ²)		
		Indoor Protected RETRACTABLE ROOFING • OUTDOOR CAFE SCREENS	Outdoor Enclosed HEATING	Outdoor Exposed
THX 2400	2.1 to 3.5	16	10	6
THX 3600	2.1 to 3.5	24	15	9

Voltage options for all Models	Notes
240 V (Australia)	* Approximate running costs based on 20¢/hr tariff.
220-230 V (Europe / NZ)	
208V, 240V (USA / Canada)	

Also available in the range



Ozflame bio-fuel fireplaces – a real flame without the cost or hassle of fluing and gas connection. Used inside or out. Runs on bio-fuel (such as methylated spirits)



Heatstrip Classic – a stylish radiant heater for comfortable warmth from above for use in undercover outdoor and open indoor areas

